



# LED POWER SUPPLY DATASHEET

## SS60-12VL

### -DESCRIPTION

High Cost Performance, Products meet the SELV standard. The circuit design has open circuit, short circuit, overload and over temperature protection. Compliance to ERP directive lifetime 50,000hrs. 5 years warranty.



#### -Input

Items	Conditions	Request	Note
Rated Input voltage	Ta	AC220-240V	--
Input Frequency		50/60Hz	--
Input Current	25°C, rated input voltage, output with max. rated power	< 0.35A	230V/50HZ
Input Power		< 69W	
Efficiency		87%	
Standby	25°C, rated input voltage, output without load	< 0.5W	Average
Inrush current	25°C, rated input voltage,	<40A	230V/50HZ
THD	25°C, rated input voltage, output with max. rated power	<10%	230V/50HZ
PF	25°C, rated input voltage, output with max. rated power	≥ 0.9	230V/50HZ

#### -Output

Items	Conditions	Request	Note
Startup time	25°C, rated input voltage, output with max. rated power	<0.5S	230V
Output Voltage and Precision	Ta, rated input voltage, output with rated power	12V±5%	--
Output Current Range	Ta, rated input voltage	0-5A	
Output Voltage Wave	25°C, rated input voltage output with max. rated power	< 3%	Vp-p
Line Regulation	Ta, output with max. rated power	1%	--
Load Regulation	Ta, Rated input voltage	1%	--

#### -Temperature and others

Items	Conditions	Request	Note
Operation temp.	--	-20-45°C	--
Relative humidity	--	10%-90%	--
Max. case temp.	--	90°C	--
Lifetime	Below Tc80°C, rated input voltage, output with max. rated power	50,000hr	--
MTBF Qualification	Max Ta, rated input voltage, output with max. rated power	200,000hr	--
Working noise	25°C, rated input voltage, output with rated power, mute box background noise < 35dB, pickup 10cm distance from products	Yes	--

#### -Mechanical, mounting

Items	Conditions
Case material and size	Plastic
Mounting ways	Independent
Insulation type	Class II
IP grade	IP20
Input cables dimension	Terminal
Output cables dimension	Terminal
Output cables length	Max 2m

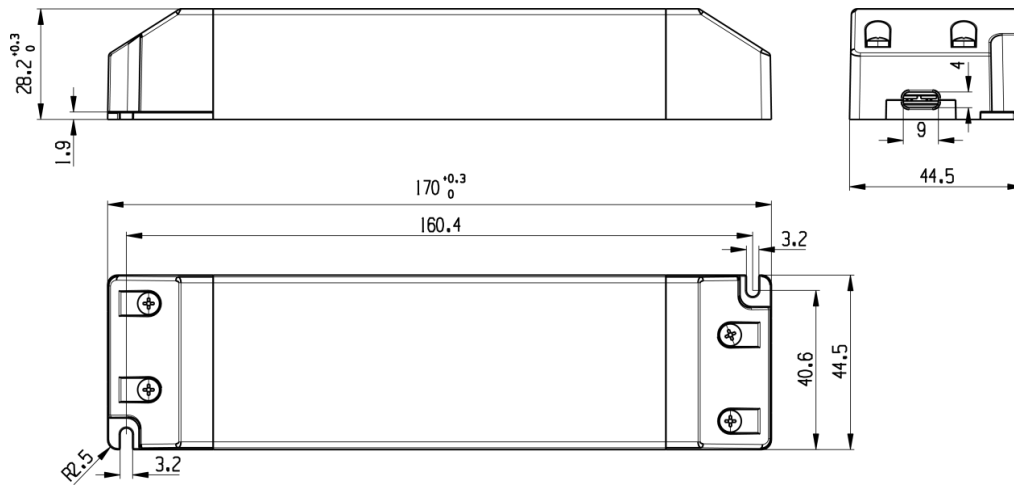
#### -Protection

Item	Conditions	Request	Note
Open circuit	Ta, rated input voltage, no load	Yes	--
Over load	Ta, 0.94-1.06 times of input voltage, 1.4 times of rated power	Yes	--
Short circuit	Ta, 0.94-1.06 times of input voltage	Yes	--
Over temperature	Ta, 0.94-1.06 times of input voltage, temperature detected pointed more than 115 degree	Yes	--
Over voltage	Ta, 0.94-1.06 times of input voltage, output voltage is 1.5 times of rated one	Yes	--
Auto recovery	After over temperature, over load, short circuit protection revocation	Yes	--

#### -Standard

Items	Conditions
Safety	IEC61347-1, IEC61347-2-13
Harmonic	EN61000-3-2 Class C
EMI	EN55015
EMS	EN61547

## Dimensions(mm)



## Wiring Diagram

