

TF152-MOON LIGHT-DIAM60-40W-2CCT-DALI-WHITE

BL02402003

INDOOR > Surface mounted and suspended fixtures

Surface-mounted or suspended LED ceiling light, ideal for architectural projects! Temperature change possible. Thanks to its Dali Push Dim power supply, adapt the level of lighting to the work environment.



Application domain

- Meeting room
- Office
- Entrance Halls
- Shop



Electric data

Total power (W)	40
Rated voltage (V)	230V
Distorsion harmonique	-
Power factor	>0.95
Network frequencies	50Hz , 60Hz
Electric class	I
Dimmable	Dali , push dim

Photometric data

Color temperatures	3000K / 4000K
UGR	<19
Light source type	SMD
Including the light source	Yes
SDCM	SDCM>4
IRC	>80
Safety group (EN62778)	RG0
Luminous flux (lm)	4000lm (3000K)
ULOR	-

Technical data

Diameter (mm)	585
Height (mm)	80
Recessed diameter (mm)	-
Weight (kg)	6.9
Recessed depth under BA13 (mm)	-
Cable length	-
Product color	White
IK Code	IK04
Incandescent wire test	650°C
IP Code	IP20
Use temperature range	-20... +45°
Body material	Aluminium
Diffuser material	-
Driver included	Yes

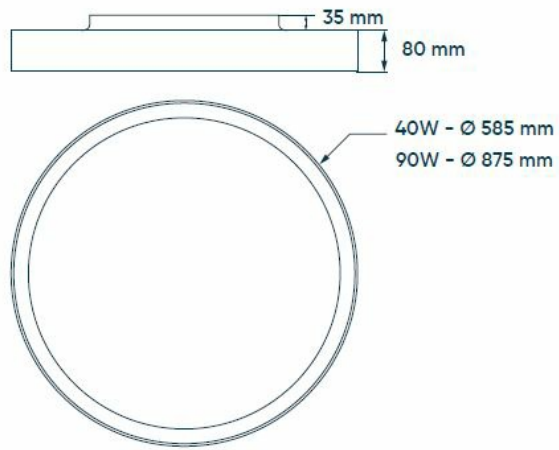
Liefe time

L90 à 25°	50 000 h
-----------	----------

Supplementary data

Warranty period	5 years
Light beam spread	90°
Tiltable	No
Connection type	Fil à connecter
Linked products	<ul style="list-style-type: none">• BL02000002 - MOON SQUARE WHITE SUSP KIT

Plan



Photometric curves

