

LANTERN

TF129-LANTERNE ASY 30W-3000K-IP65

BL10306504

OUTDOOR > Street Lighting

OUTDOOR > Outdoor Flood Light

30W lantern with asymmetrical distribution 156° x 71°, ideal for car parks, private paths, access roads... 60 mm diameter nozzle.



Application domain

- Outdoor Parking
- Outdoor Circulations
- Outdoor lighting



Electric data

Total power (W)	30
Rated voltage (V)	230V
Distorsion harmonique	-
Power factor	>0.95
Network frequencies	50Hz , 60Hz
Electric class	I
Dimmable	No

Photometric data

Color temperatures	3000K
Light source type	SMD
Including the light source	Yes
SDCM	SDCM>4
IRC	>80
Safety group (EN62778)	RG1
Luminous flux (lm)	3900lm (3000K)
ULOR	-

Technical data

Dimensions (mm)	593 x 255 x 133
Weight (kg)	4.88
Recessed depth under BA13 (mm)	-
Cable length	50 cm
Product color	Gray RAL 7035
IK Code	IK08
Incandescent wire test	650°C
IP Code	IP65
Use temperature range	-20... +50°
Body material	Aluminium
Diffuser material	PC
Driver included	Yes

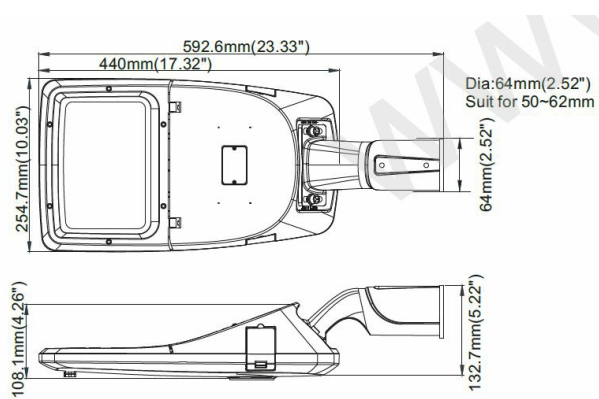
Liefe time

L80 à 25°	50 000 h
-----------	----------

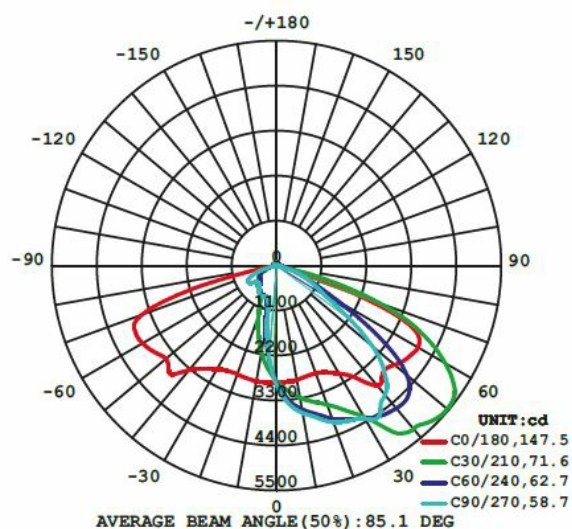
Supplementary data

Warranty period	5 years
Light beam spread	156° X 71°
Tiltable	No
Connection type	Fil à connecter
Linked products	<ul style="list-style-type: none">BL10606504 - TF130 LANTERN ASY 60W 3000K

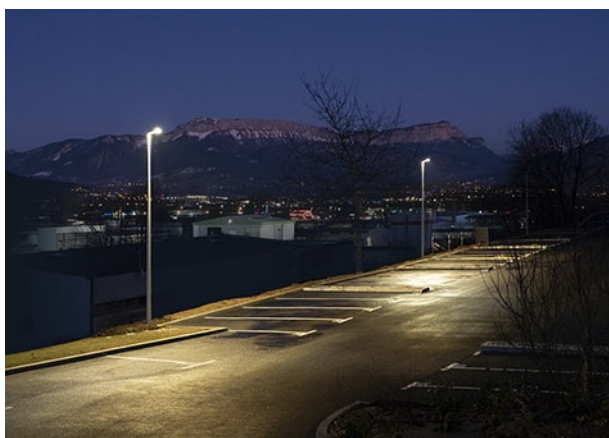
Plan



Light distribution



Atmosphere



Atmosphere



