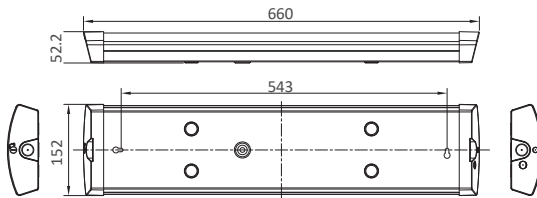


Dimension (mm)



Maximum loading of automatic circuit breakers

Driver	Product code	Inrush current I peak	Inrush current T width	MCB B type 10A	MCB B type 16A	MCB B type 25A	MCB C type 10A	MCB C type 16A	MCB C type 25A
BOKE	TLN-660-20AF	9.65A	184 μs	35	57	89	59	95	148
BOKE	TLN-660-20AF-DA	6.5A	206 μs	48	77	120	57	91	142

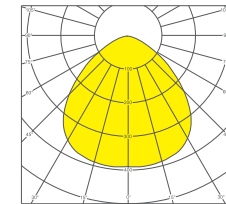
General Information

Dimensions	660*152*52.5mm
Weight	1,6 kg
Material	Steel+ PMMA
Optical cover	BWF PMMA
Housing	White / Black
Protection class IEC	Safety class I
Protection class	IP44
Operating temperature	-20° + 40°C
Storing temperature	-25° + 65°C

Input voltage	220 - 240V AC
Input Frequency	50 or 60 Hz
Power Factor	> 0.95
Switching cycles before failure	> 500.000
Function	DALI 2.0/ Sensor/ Emergency

Warranty period	5 years
L80 B10	>50000 hours

SDCM	< 3
CRI	Ra>80 or Ra>90
Initial LED luminaire efficacy	110-130 lm/w



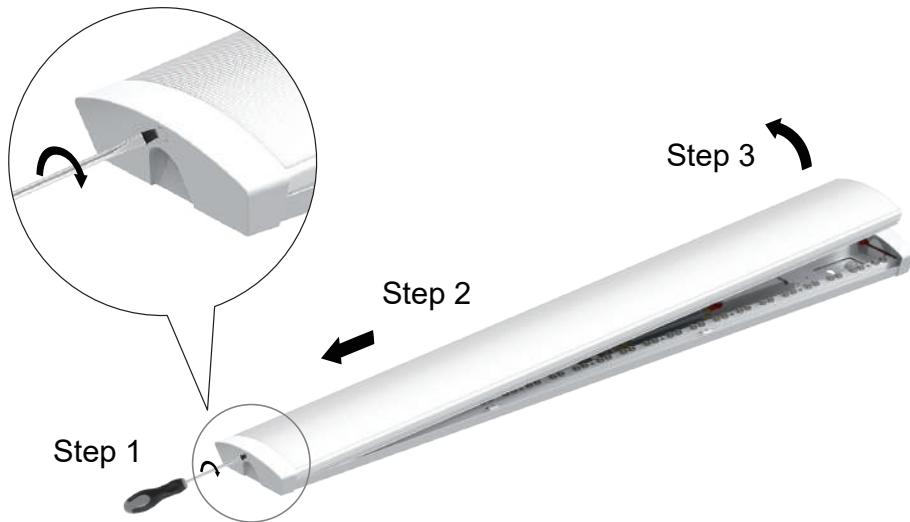
120°

Datasheet

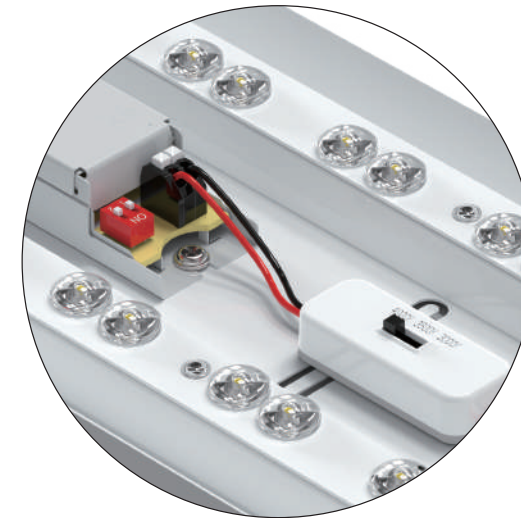
TYPE	Housing	POWER (W)	LUMEN (LM)	EFFICACY (LM/W)	CCT K	Driver (Brand)	Function
TLN-660-20AF	White	20/17/14/12W	Max 2200	110	Tri-color 3000K/4000K	BOKE	ON/OFF
TLN-660-20AF-DA	White	20/17/14/12W	Max 2200	110	Tri-color 3000K/4000K	BOKE	DALI 2.0

Features

Easy to open



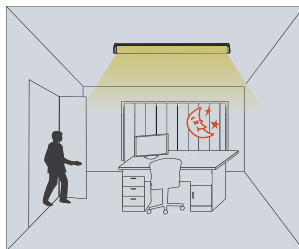
CCT Selectable & Power Switchable



Microwave sensor



The light keeps off during daytime even when movement is detected. (Ambient lux level is above preset daylight threshold)



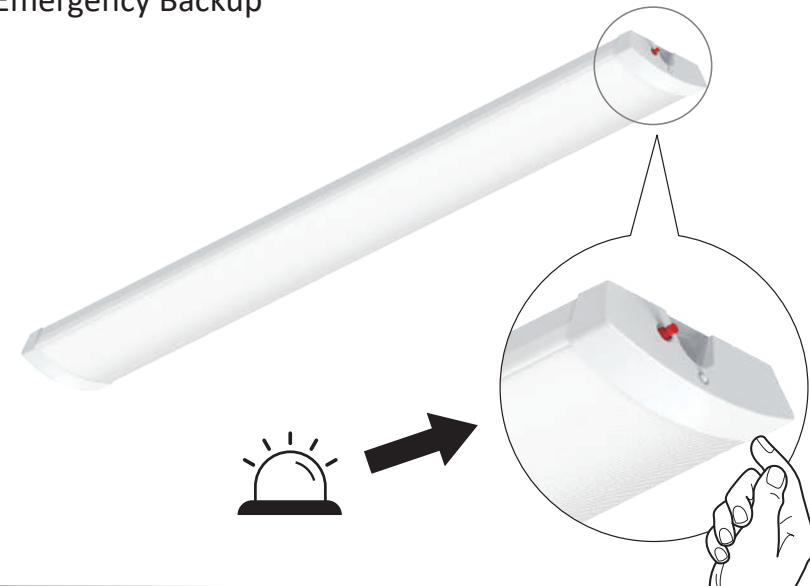
With movement and insufficient ambient lux level, the light is triggered on by the detector.



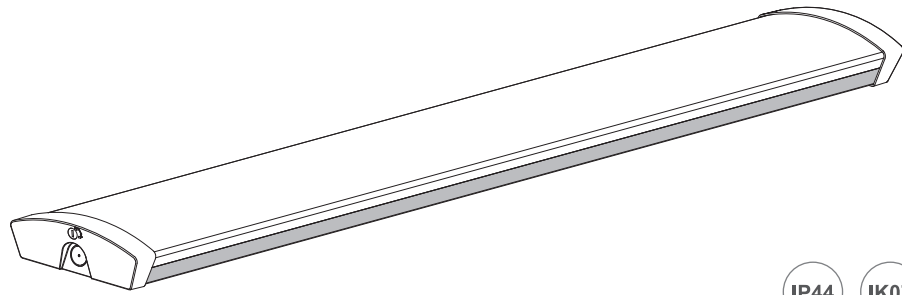
If there is no more movement, the light turns off automatically after hold-time preset.

Sensitivity	Hold Time	Daylight Sensor	Detection Range
25%/50%/75%/100%	5s/30s/1min/3min/5min/10min/20min/30min	2lux/10lux/25lux/50lux, disable	Max Ø10m@ 3m

Emergency Backup



Installation

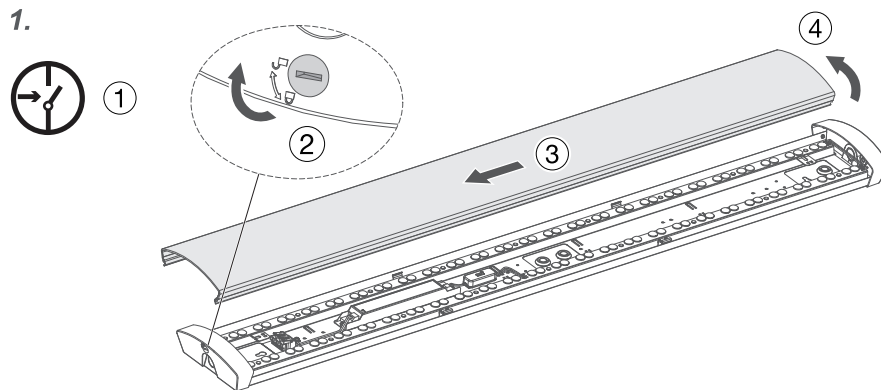
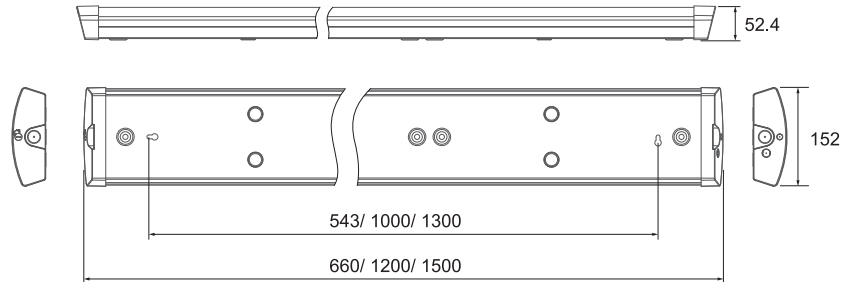


IP44 IK07

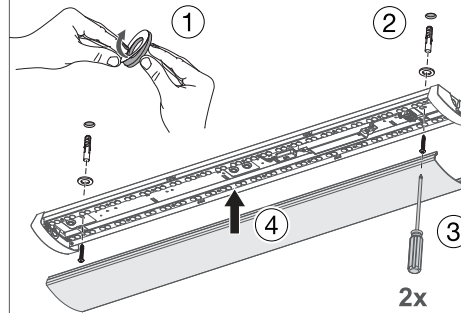


D This product contains a light source of energy efficiency class D.

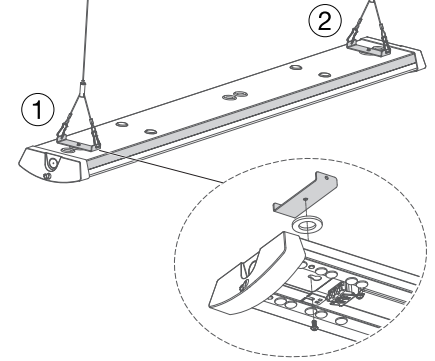
unit: mm



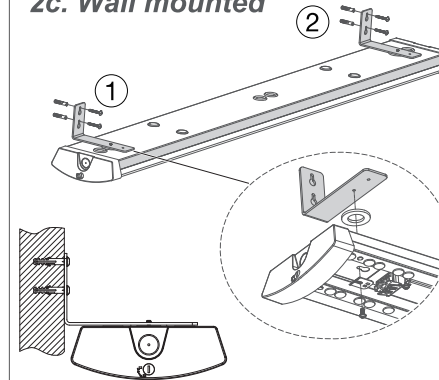
2a. Ceiling mounted



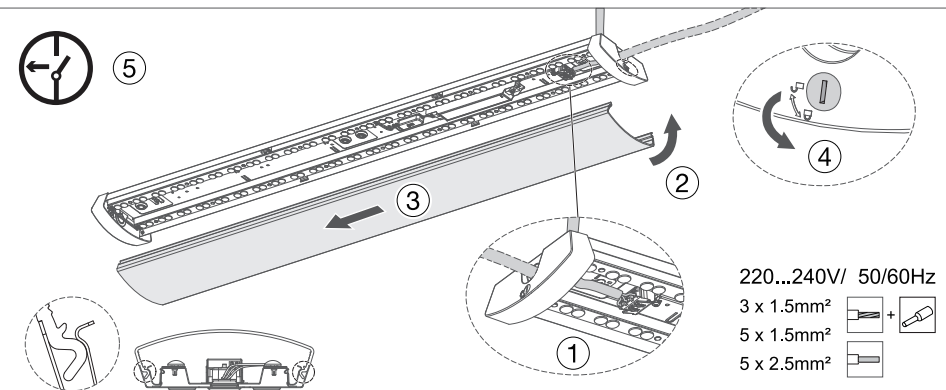
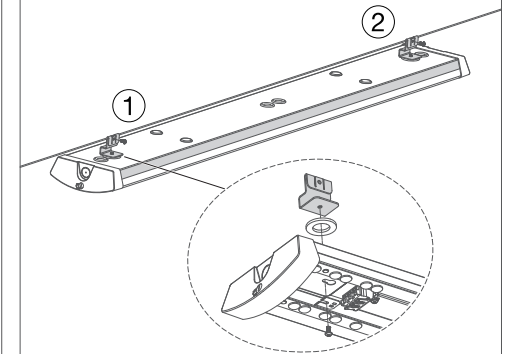
2b. Suspension



2c. Wall mounted



2d. Horizontal wire suspension



220...240V/ 50/60Hz

3 x 1.5mm²

5 x 1.5mm²

5 x 2.5mm²

