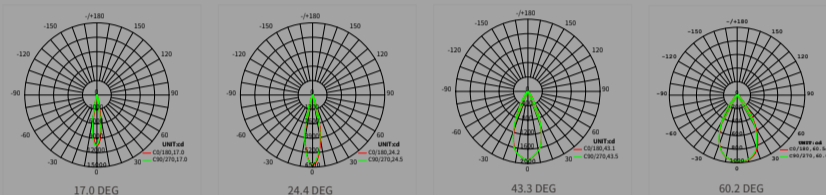


2700K | 3000K | 3500K | 4000K | 5000K | 6000K |

Dimmable



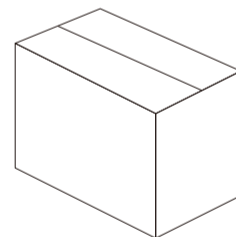
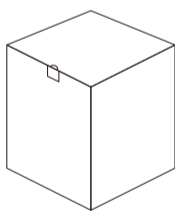
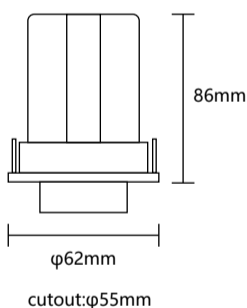
Datasheet

| Part No. | COB brand | CCT | Output | | | Beam angle =YY 10°/15°/24°/38°/50° |
|---------------------|-----------|------|-----------|-----------|-----------|--|
| | | | CRI80 | CRI90 | CRI97 | |
| TLN-CL6WL63E-XXK-YY | (Epistar) | = XX | 700-750lm | 650-700lm | 550-600lm | |

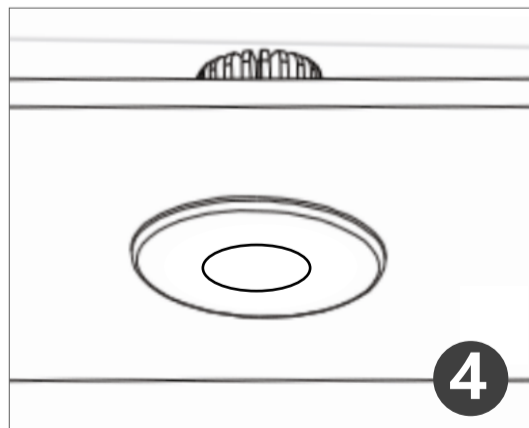
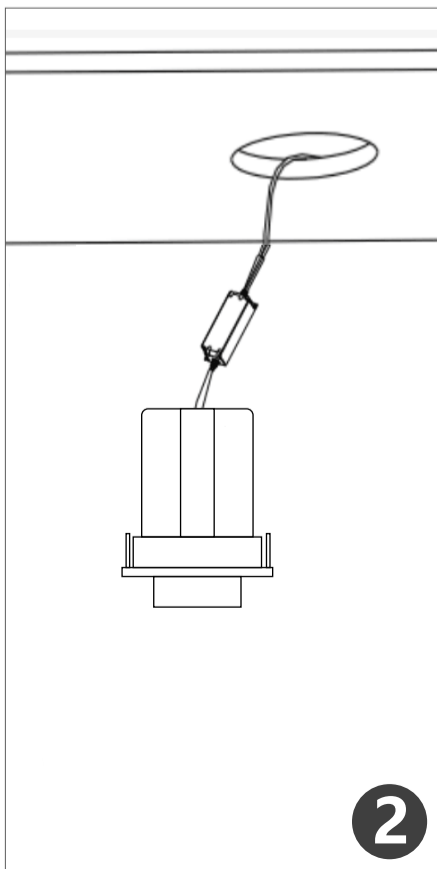
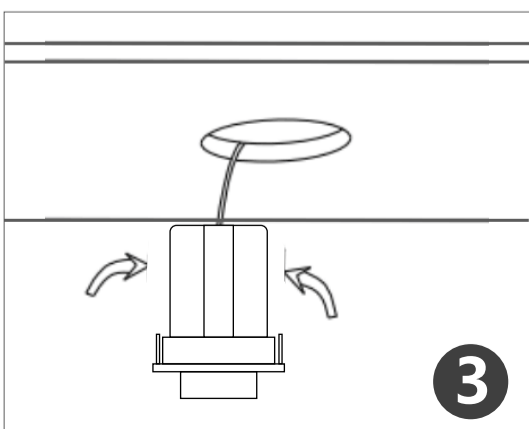
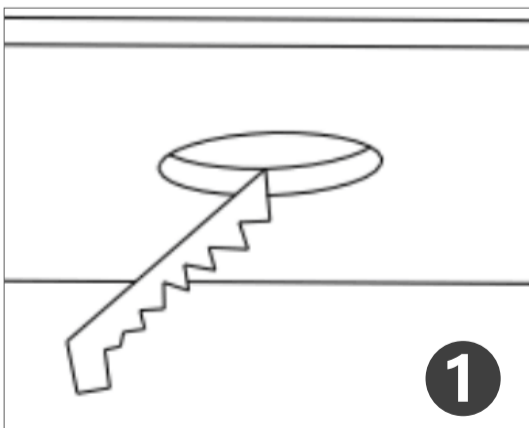
XX = 27K,30K,40K,50K,60K,D2W(1800-3000K)

YY = 10,15,24,38,50 (Represent Degree of Beam Angle)

Packing



Installation Instruction



Installation process

- 1.Ceiling open
- 2.Connect driver to the power
- 3.Hold back spring clips. Push the downlight into position
- 4.Installation finished