

LED PANEL

BACKLIT-30W-UGR19-PRISM-4000K-2 PIECES PL04302001

INDOOR > Office Recessed Fixture

Led panel UGR19 with prismatic diffuser, safety rope and connection terminal block that can be transplanted without tools, PMMA lens. A package=1 reference which contains 2 pieces



Application domain

- Meeting room
- School
- Office



Electric data

Total power (W)	30
Rated voltage (V)	230V
Distorsion harmonique	<6%
Power factor	>0.95
Network frequencies	50Hz , 60Hz
Electric class	II
Dimmable	No

Photometric data

Color temperatures	4000K
UGR	<19
Light source type	SMD
Including the light source	Yes
SDCM	SDCM>4
IRC	>80
Safety group (EN62778)	RG0
Luminous flux (lm)	3400lm (4000K)
ULOR	-

Technical data

Dimensions (mm)	595 x 595 x 26
Recessed diameter (mm)	Min. : 600 Max. : 600
Weight (kg)	4.38
Recessed depth under BA13 (mm)	-
Cable length	-
Product color	White
IK Code	IK02
Incandescent wire test	650°C
IP Code	IP40
Use temperature range	-20... +45°
Body material	Aluminium
Diffuser material	PC
Driver included	Yes
Recoverable	Insulation material except driver

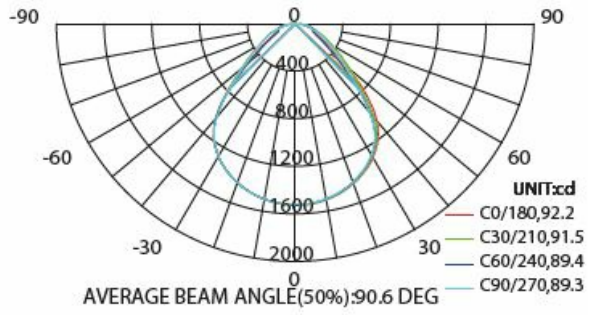
Liefe time

L80 à 25°	50 000 h
-----------	----------

Supplementary data

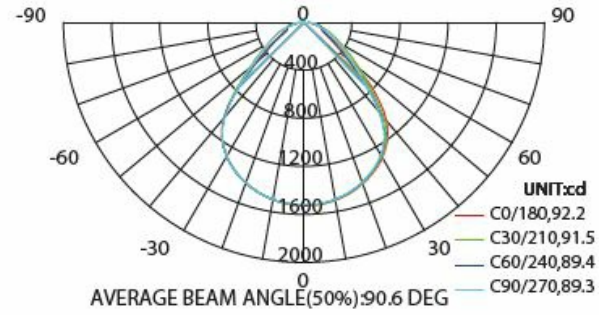
Warranty period	5 years
Light beam spread	90°
Tiltable	No
Connection type	Bornier avec repiquage
Linked products	<ul style="list-style-type: none">• BL08000013 - TF066-Protrusion frame 600x600• BL08000002 - TF018 Mechanically welded projection frame• BL08000009 - INTEGRATION FRAME 600x600

Light distribution



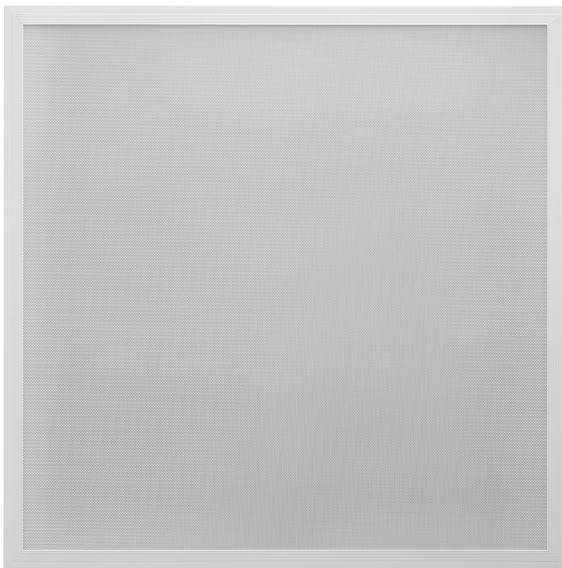
600x600 4000K

Photometric curves



600x600 4000K

Other



Other

