

TOP LED NORDIC



Aurora Linear Light

LOW UGR



Aurora Linear Light

Low UGR design makes your daily work more comfortable.
Flat profile suitable for residential and commercial spaces.



Aurora Linear Light is a flexible and slim luminaire with IP44 for multiple indoor application such as parking garages, schools, offices, culverts, laundry rooms, kitchens and industrial buildings. It is suitable for surface mounted or wall mounted, rails bracket mounting, horizontal wires and wire suspension. Thanks to the fastener design of end cap, we can save 80% labor cost of installation.

- Easy to install
- PMMA, Low UGR
- Beam Angle: 130°
- 3000K, 4000K, 5000K, 6000K, SMD2835

IP 44



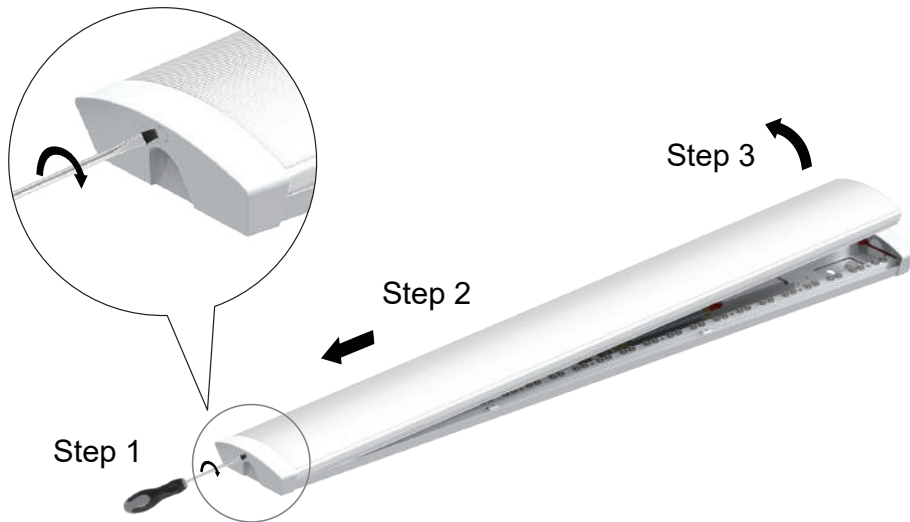
L80B10
50,000 H

LOW UGR



Features

Easy to open



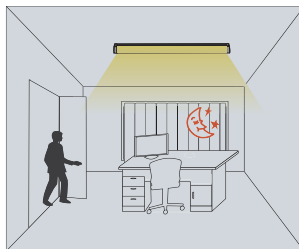
CCT Selectable & Power Switchable



Microwave sensor



The light keeps off during daytime even when movement is detected. (Ambient lux level is above preset daylight threshold)



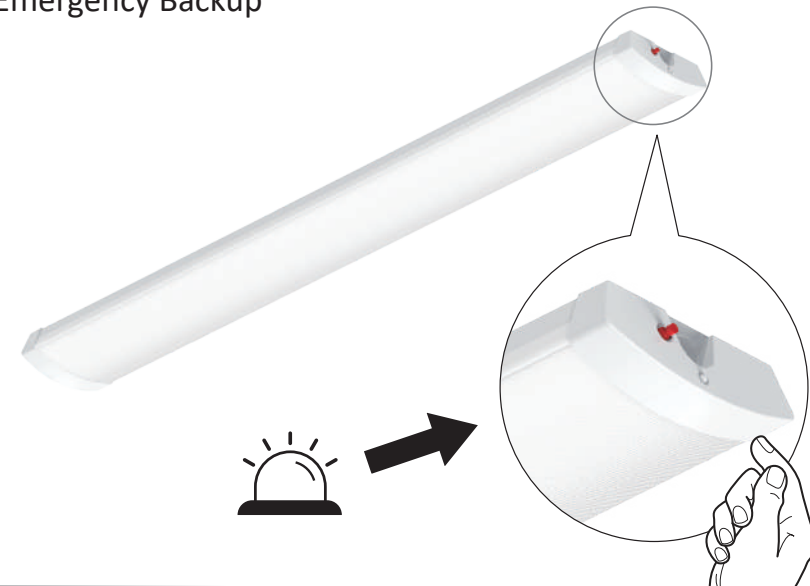
With movement and insufficient ambient lux level, the light is triggered on by the detector.

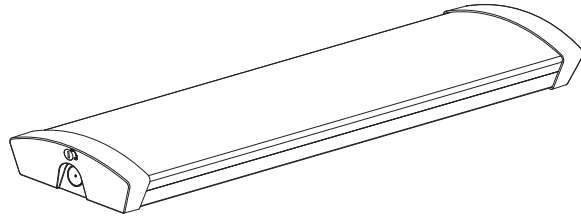


If there is no more movement, the light turns off automatically after hold-time preset.

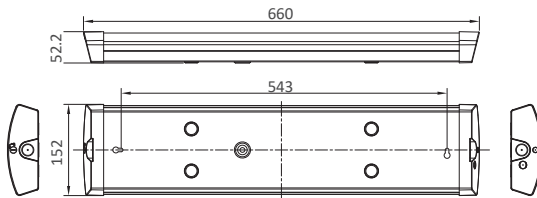
Sensitivity	Hold Time	Daylight Sensor	Detection Range
25%/50%/75%/100%	5s/30s/1min/3min/5min/10min/20min/30min	2lux/10lux/25lux/50lux, disable	Max Ø10m@ 3m

Emergency Backup





Dimension (mm)



Maximum loading of automatic circuit breakers

Driver	Product code	Inrush current I peak	Inrush current T width	MCB B type 10A	MCB B type 16A	MCB B type 25A	MCB C type 10A	MCB C type 16A	MCB C type 25A
BOKE	TLN-660-20AF	9.65A	184 μs	35	57	89	59	95	148
BOKE	TLN-660-20AF-DA	6.5A	206 μs	48	77	120	57	91	142

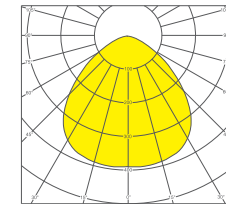
General Information

Dimensions	660*152*52.5mm
Weight	1,6 kg
Material	Steel+ PMMA
Optical cover	BWF PMMA
Housing	White / Black
Protection class IEC	Safety class I
Protection class	IP44
Operating temperature	-20° + 40°C
Storing temperature	-25° + 65°C

Input voltage	220 - 240V AC
Input Frequency	50 or 60 Hz
Power Factor	> 0.95
Switching cycles before failure	> 500.000
Function	DALI 2.0/ Sensor/ Emergency

Warranty period	5 years
L80 B10	>50000 hours

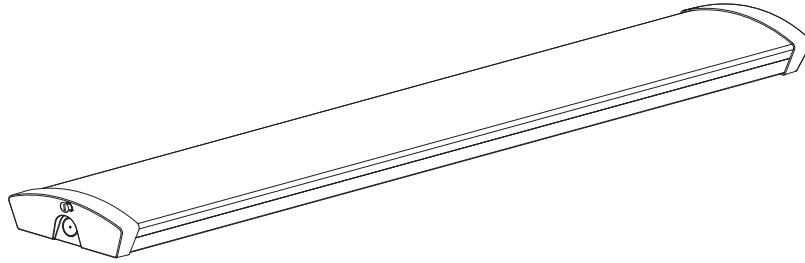
SDCM	< 3
CRI	Ra>80 or Ra>90
Initial LED luminaire efficacy	110-130 lm/w



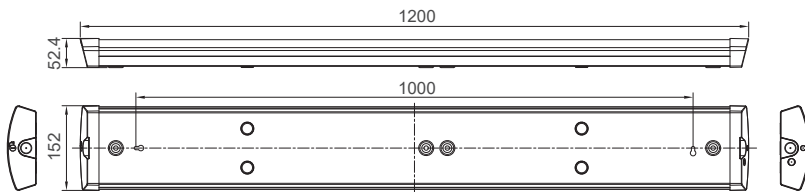
120°

Datasheet

TYPE	Housing	POWER (W)	LUMEN (LM)	EFFICACY (LM/W)	CCT K	Driver (Brand)	Function
TLN-660-20AF	White	20/17/14/12W	Max 2200	110	Tri-color 3000K/4000K	BOKE	ON/OFF
TLN-660-20AF-DA	White	20/17/14/12W	Max 2200	110	Tri-color 3000K/4000K	BOKE	DALI 2.0



Dimension (mm)



Maximum loading of automatic circuit breakers

Driver	Product code	Inrush current I peak	Inrush current T width	MCB B type 10A	MCB B type 16A	MCB B type 25A	MCB C type 10A	MCB C type 16A	MCB C type 25A
BOKE	TLN-1200-40AF	18.1A	226µs	15	24	38	25	40	63
BOKE	TLN-1200-40AF-DA	7.9A	180 µs	36	58	91	36	58	91

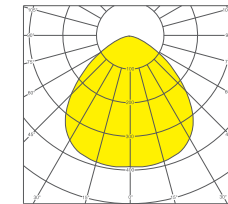
General Information

Dimensions	1200*152*52.5mm
Weight	2,8 kg
Material	Steel+ PMMA
Optical cover	BWF PMMA
Housing	White / Black
Protection class IEC	Safety class I
Protection class	IP44
Operating temperature	-20° + 40°C
Storing temperature	-25° + 65°C

Input voltage	220 - 240V AC
Input Frequency	50 or 60 Hz
Power Factor	> 0.95
Switching cycles before failure	> 500.000
Function	DALI 2.0/ Sensor/ Emergency

Warranty period	5 years
L80 B10	>50000 hours

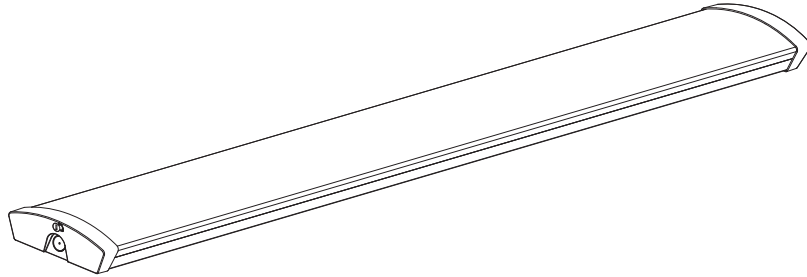
SDCM	< 3
CRI	Ra>80 or Ra>90
Initial LED luminaire efficacy	119-130 lm/w



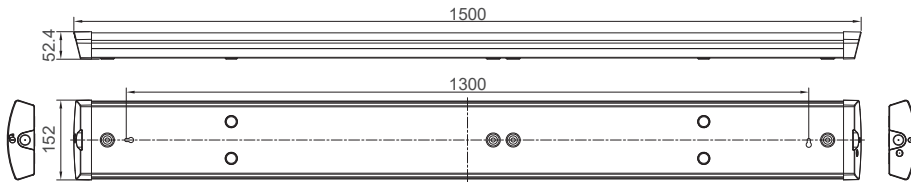
120°

Datasheet

TYPE	Housing	POWER (W)	LUMEN (LM)	EFFICACY (LM/W)	CCT K	Driver (Brand)	Function
TLN-1200-40AF	White	40/34/28/23W	Max 4700	119	Tri-color 3000K/4000K	BOKE	ON/OFF
TLN-1200-40AF-DA	White	40/34/28/23W	Max 4700	119	Tri-color 3000K/4000K	BOKE	DALI 2.0



Dimension (mm)



Maximum loading of automatic circuit breakers

Driver	Product code	Inrush current I peak	Inrush current T width	MCB B type 10A	MCB B type 16A	MCB B type 25A	MCB C type 10A	MCB C type 16A	MCB C type 25A
BOKE	TLN-1500-53AF	23A	242µs	11	18	27	18	29	46
BOKE	TLN-1500-53AF-DA	9.1A	173 µs	23	36	57	23	36	57

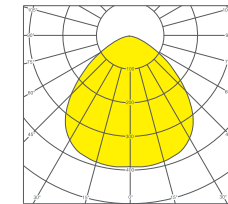
General Information

Dimensions	1500*152*52.5mm
Weight	3,5 kg
Material	Steel+ PMMA
Optical cover	BWF PMMA
Housing	White / Black
Protection class IEC	Safety class I
Protection class	IP44
Operating temperature	-20° + 40°C
Storing temperature	-25° + 65°C

Input voltage	220 - 240V AC
Input Frequency	50 or 60 Hz
Power Factor	> 0.95
Switching cycles before failure	> 500.000
Function	DALI 2.0/ Sensor/ Emergency

Warranty period	5 years
L80 B10	>50000 hours

SDCM	< 3
CRI	Ra>80 or Ra>90
Initial LED luminaire efficacy	120-130 lm/w

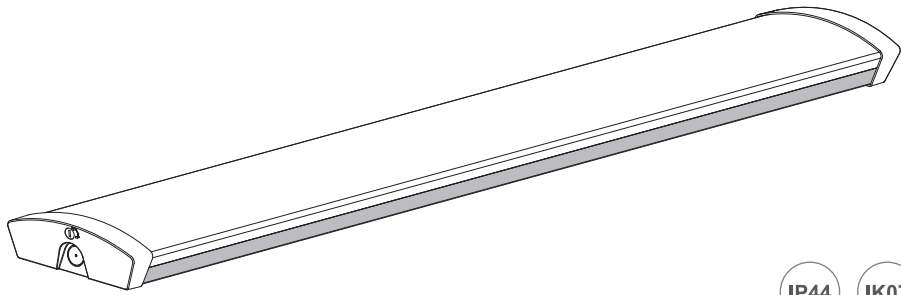


120°

Datasheet

TYPE	Housing	POWER (W)	LUMEN (LM)	EFFICACY (LM/W)	CCT K	Driver (Brand)	Function
TLN-1500-53AF	White	53/45/37/30W	Max 6380	120	Tri-color 3000K/4000K	BOKE	ON/OFF
TLN-1500-53AF-DA	White	53/45/37/30W	Max 6380	120	Tri-color 3000K/4000K	BOKE	DALI 2.0

Installation

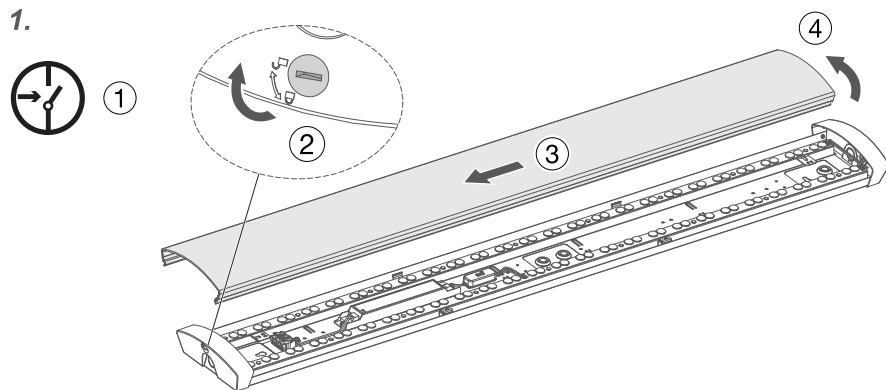
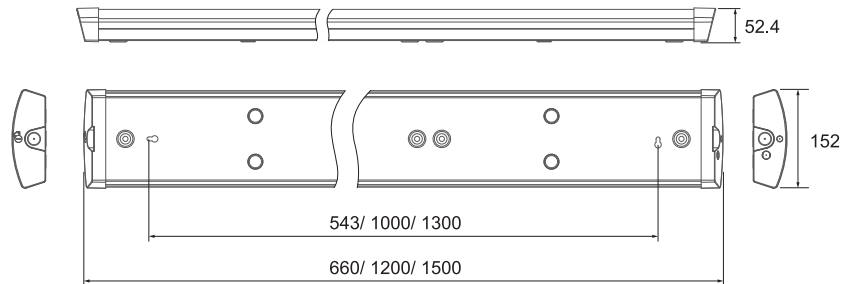


IP44 IK07

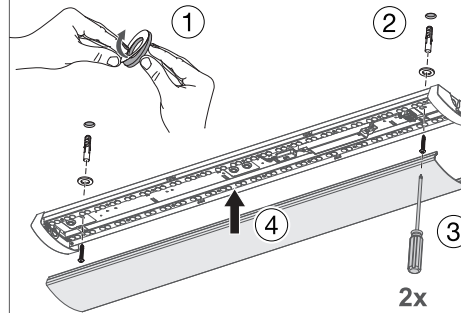


D This product contains a light source of energy efficiency class D.

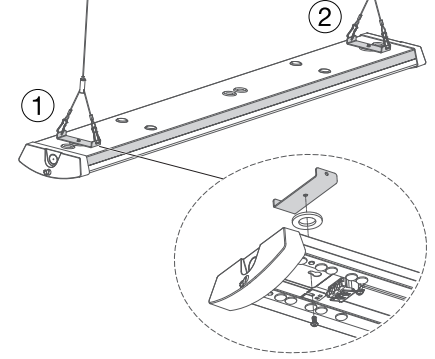
unit: mm



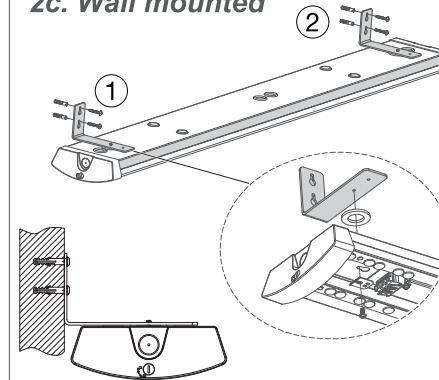
2a. Ceiling mounted



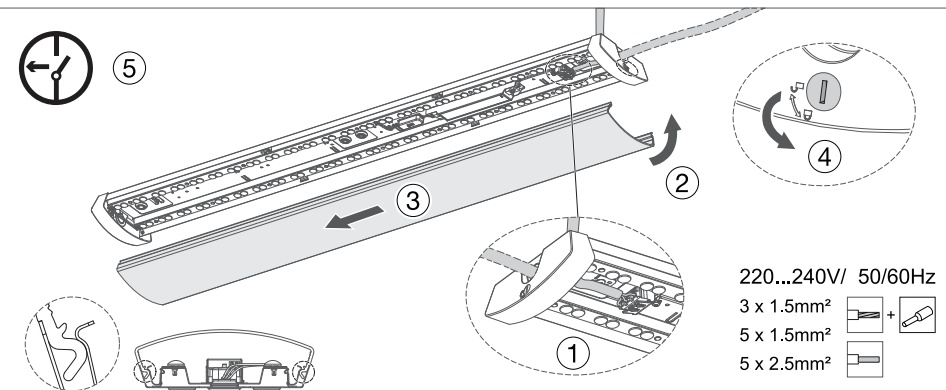
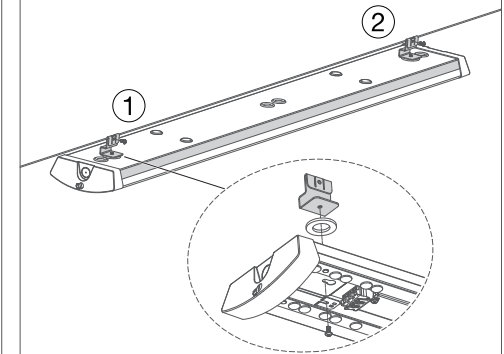
2b. Suspension



2c. Wall mounted

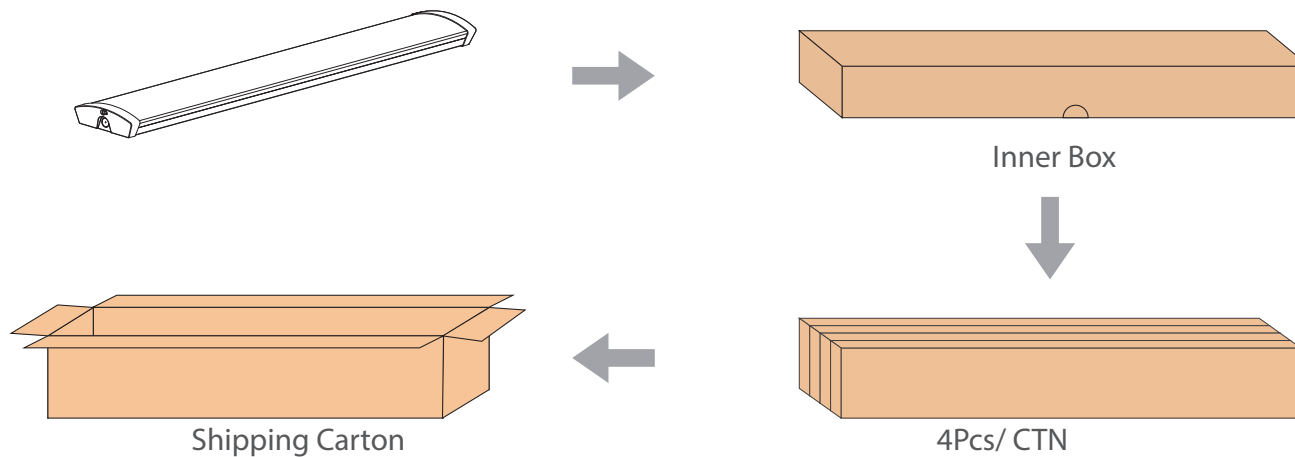


2d. Horizontal wire suspension



Package

Length	Outer Carton	Qty/Carton	Unit N.W	G.W/Carton
600mm	700 x 265 x 185mm	4Pcs	7KG	8.5KG
1200mm	1240 x 265 x 185mm	4Pcs	11.5KG	13KG
1500mm	1540 x 265 x 185mm	4Pcs	14.5KG	16KG



! Caution

- ※ In case of electric shock, please make sure the power is off before installation.
- ※ The lamp should be installed and operated by a qualified electrician or technician in accordance with relevant local codes.
- ※ Do not use sharp tools near or on the surface of the lamp.
- ※ Unpack and examine the product carefully. Report any damage and save all packing materials if any portion of the product was damaged during transportation.