



LED POWER SUPPLY DATASHEET

SP50-24VFT

DESCRIPTION

High Cost Performance, SELV. short circuit, overload and over temperature protection. Compliance to ERP directive, lifetime 30,000hrs.



Input

Items	Conditions	Request	Note
Input voltage	Ta	AC220-240V	--
Input frequency		50Hz	--
Input current	25°C, rated input voltage, output with max. rated power	< 0.3A	--
Input power		< 60W	--
Efficiency		≥ 85 %	--
Standby		25°C, rated input voltage, output without load	--
Inrush current	25°C, rated input voltage	< 75A	peak
PF	25°C, rated input voltage, output max. rated power	≥ 0.9	--

Temperate and others

Item	Conditions	Request	Note
Operation temp.	--	-20-45°C	--
Relative humidity	--	15%-90%	--
Max. case temp.	--	85°C	--
Lifetime	Max.Ta, rated input voltage, output with max.rated power	30,000hr	--
Working noise	25°C, rated input voltage, output with rated power, mute box background noise<35dB,pickup 10cm distance from products	yes	--

Protection

Items	Conditions	Request	Note
Open circuit	Ta, rated input voltage, no load	yes	--
Over load	Ta, 0.94-1.06 times of input voltage, 1.2 times of rated power	--	--
Short circuit	Ta, 0.94-1.06 times of input voltage	yes	--
Over temperature	Ta, 0.94-1.06 times of input voltage, temperature detected pointed more than 115 degree	yes	--
Over voltage	Ta, 0.94-1.06 times of input voltage,output voltage is 1.5 times of rated one	yes	--
Auto recovery	Over load, short circuit revocation	yes	--
Latch off	Over voltage, over heat re-start after cut off	yes	--

Output

Items	Conditions	Request	Note
Startup time	25°C, rated input voltage,output with max. rated power	--	--
Output voltage and precision	Ta, rated input voltage, output with rated power	24V±5%	--
Output current range	Ta, rated input voltage	0.8-2.08A	
Output voltage wave	25°C, rated input voltage,output with max. rated power	--	Vp-p
Output overload	25°C, rated input voltage,output with 2 times LED load	--	--
Output current and precision	Ta, rated input voltage, output with rated power	--	--
Rated output voltage range	Ta, rated input voltage	--	--
Output current wave	25°C, rated input voltage,output with max. rated power	--	Ip-p
Dimming mode	--	triac CV	--
Dimming range	--	20%-90%	--

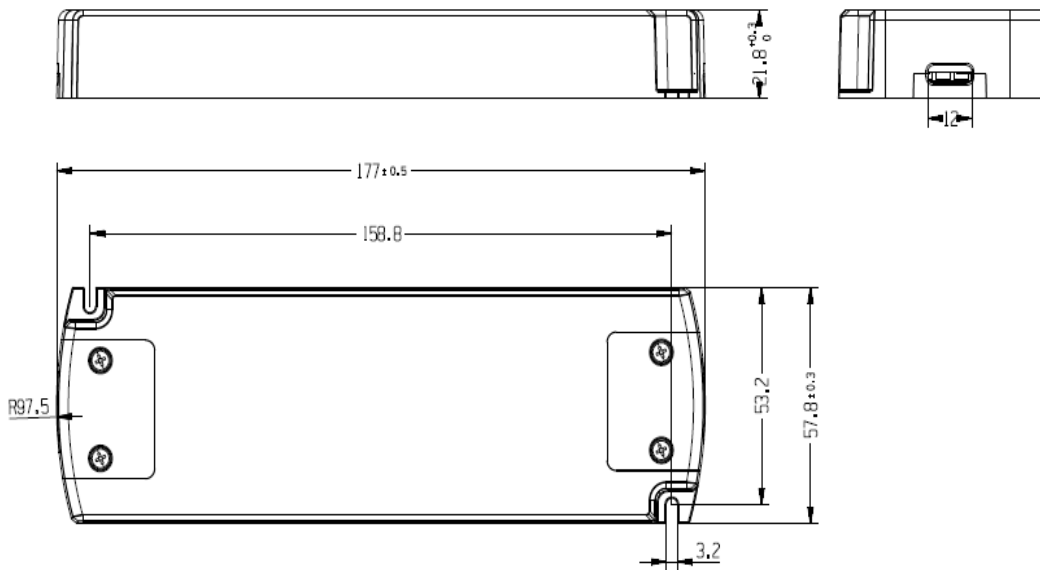
Mechanical, mounting

Items	Conditions
Case material and size	Plastic, 177x57.8x21.8mm
Mounting ways	Independent
Insulation type	Class II
IP grade	IP20
Input cables dimension	terminal block H03VVH2-F 2x0.75mm2
Output cables dimension	terminal block H03VVH2-F 2x0.75mm2
Output cables length	2m max

Standard

Items	Conditions
Safety	IEC61347-1, IEC61347-2-13
Harmonic	EN61000-3-2 Class C
EMI	EN55015
EMS	EN61547

Dimensions(mm)



Wiring Diagram

