

# TF153-MOONLIGHT-DIAM90-70W-2CCT-DALI-BLACK

BL02702001

**INDOOR** > Surface mounted and suspended fixtures

Surface-mounted or suspended LED ceiling light, ideal for architectural projects! Temperature change possible. Thanks to its Dali Push Dim power supply, adapt the level of lighting to the work environment.



## Application domain

- Meeting room
- Office
- Entrance Halls
- Shop



## Electric data

Total power (W)	70
Rated voltage (V)	230V
Distorsion harmonique	-
Power factor	>0.95
Network frequencies	50Hz
Electric class	I
Dimmable	Dali , push dim , 1-10V

## Photometric data

Color temperatures	3000K / 4000K
UGR	<19
Light source type	SMD
Including the light source	Yes
SDCM	SDCM>4
IRC	>80
Safety group (EN62778)	RG0
Luminous flux (lm)	7500lm (3000K)
ULOR	-

## Technical data

Diameter (mm)	875
Height (mm)	80
Recessed diameter (mm)	-
Weight (kg)	13.7
Recessed depth under BA13 (mm)	-
Cable length	-
Product color	Black
IK Code	IK04
Incandescent wire test	650°C
IP Code	IP20
Use temperature range	-20... +45°
Body material	Aluminium
Diffuser material	-
Driver included	Yes

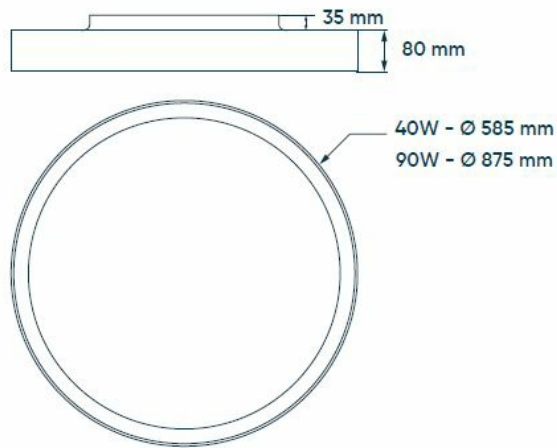
## Liefe time

L90 à 25°	50 000 h
-----------	----------

## Supplementary data

Warranty period	5 years
Light beam spread	90°
Tiltable	No
Connection type	Fil à connecter
Linked products	<ul style="list-style-type: none"><li>• BL02000001 - MOON SQUARE BLACK SUSP KIT</li></ul>

## Plan



## Photometric curves

